

StoneMark Sinks & Edges

All sink cutouts have 1/2 inch overhang

Stainless Steel with Satin Brushed Finish



9" deep

115 Large Single Bowl

Interior: 29.5 x 16.125 - 9" deep



9" deep

120 Double Equal 50/50

Interior: each 14.6 x 16.125 - 9" deep



7" deep

9" deep

121 R Offset Bowl Right 40/60

Interior: small side 13 x 16.5 - 7" deep

large side 15.75 x 20.75 - 9" deep



9" deep

7" deep

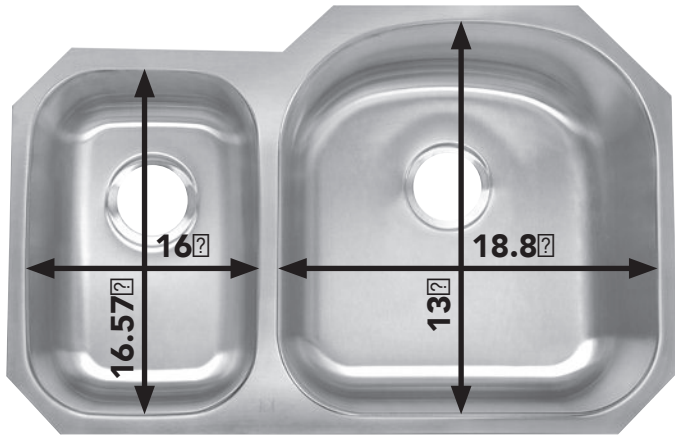
121 L Offset Bowl Left 60/40

Interior: large side 15.75 x 20.75 - 9" deep

small side 13 x 16.5 - 7" deep

StoneMark Sinks & Edges

Stainless Steel with Satin Brushed Finish

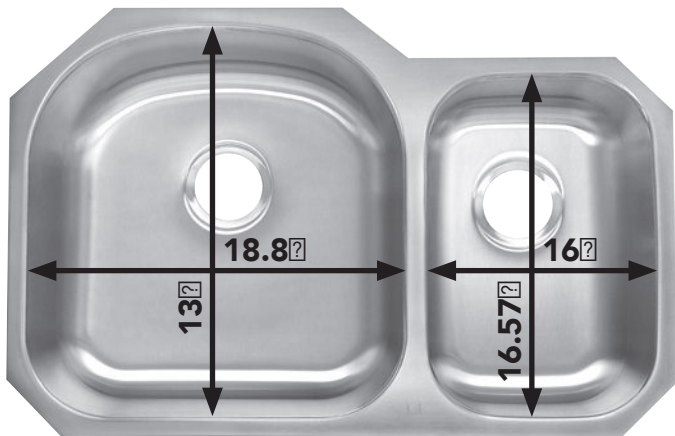


7.5 deep

9 deep

131 R Offset Bowl Right 30/70

Interior: small side 16.57 x 16 - 7.5 deep
large side 13 x 18.8 - 9 deep



9 deep

7.5 deep

131 L Offset Bowl Right 70/30

Interior: large side 13 x 18.8 - 9 deep
small side 16.57 x 16 - 7.5 deep



9 deep

LOF 100D D Bowl

Interior: 18.875 x 21.4375 - 9 deep

StoneMark Sinks & Edges

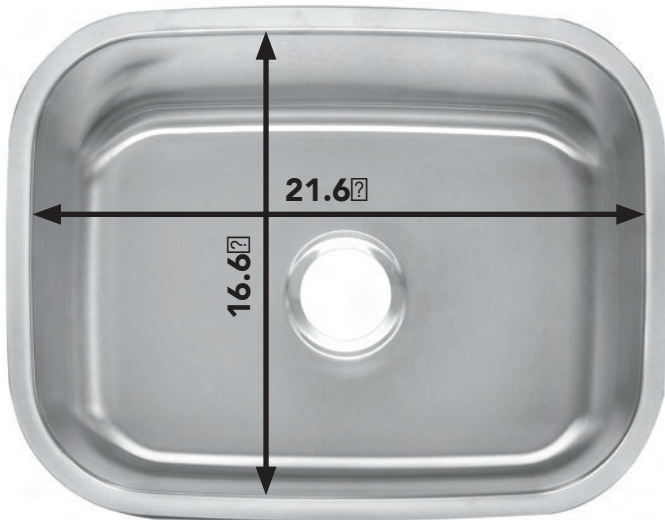
Stainless Steel with Satin Brushed Finish



7" deep

117 Bar/Vegetable Bowl

Interior: 16.6 x 13.6 - 7" deep



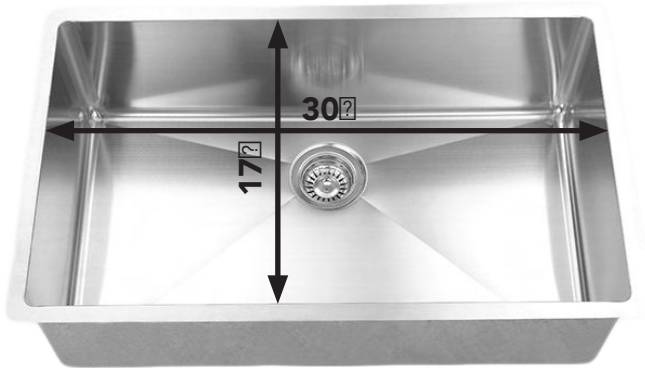
9" deep

116 Single Bowl

Interior: 21.6 x 16.6 - 9" deep

StoneMark Sinks & Edges

Stainless Steel with Polished Finish



10" deep

LOF 400 Upgrade Single Bowl Square 16 Gauge

Interior: 30 x 17 - 10" deep



10" deep

LOF 500 Upgrade Double Equal Bowl Square 16 Gauge

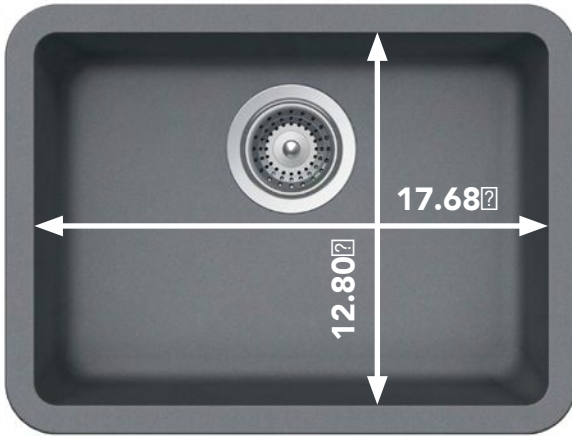
Interior: each 17 x 14.375 - 10" deep

Please Note! - Stainless steel sinks do not include strainers. Customer will need to purchase these separately.

StoneMark Sinks & Edges

All sink cutouts have 1/2 inch overhang

Crystallite Series Granite Composite

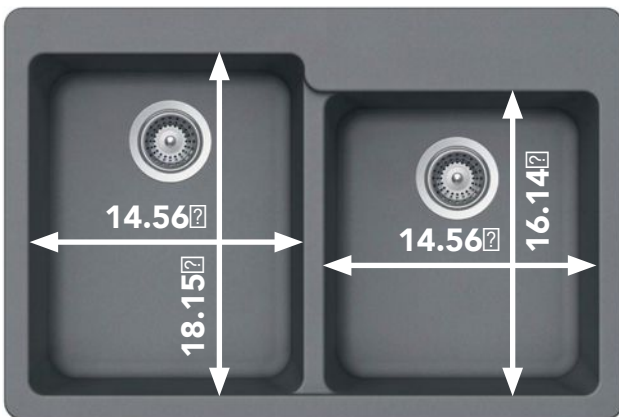


11.26" deep

PL-350 Single Bowl

Interior: 17.68 x 12.80 - 11.26" deep

Colors: Chroma, Gun Metal, Sand, Alpina, Beige, Concrete, Mocha, Onyx



9.49" deep

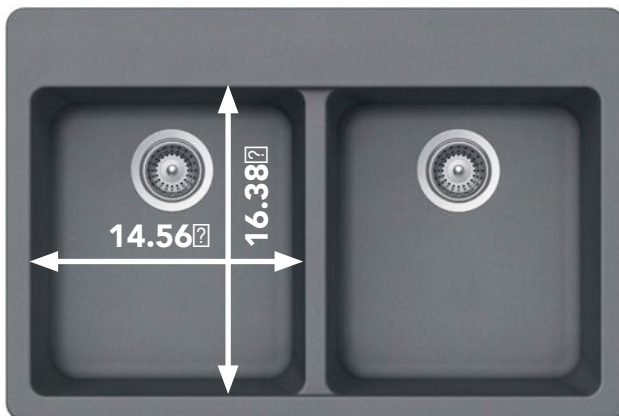
PL-175 Offset Left

Interior: large side 18.15 x 14.56

small side 16.14 x 14.56 -

9.49" deep both sides

Colors: Chroma, Gun Metal, Sand, Alpina, Beige, Concrete, Mocha, Onyx



9.49" deep

PL-200 Double

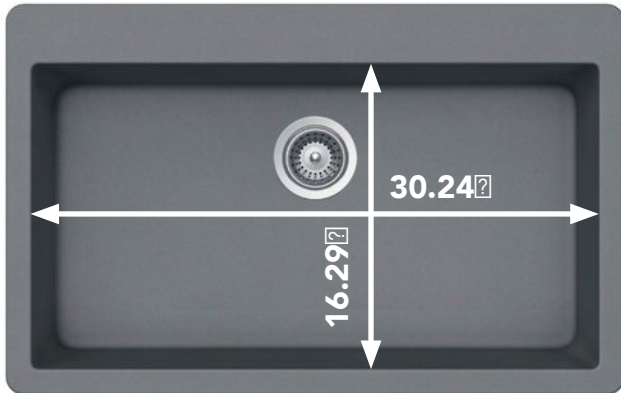
Interior: both sides 16.38 x 14.56 - 9.49" deep

Colors: Chroma, Gun Metal, Sand, Alpina, Beige, Concrete, Mocha, Onyx

StoneMark Sinks & Edges

All sink cutouts have 1/2 inch overhang

Crystallite Series Granite Composite



9.45" deep

PL-100 Large Single Bowl

Interior: 30.24 x 16.29 - 9.45" deep

Colors: Chroma, Gun Metal, Sand, Alpina, Beige, Concrete, Mocha, Onyx

Please Note! - Matching strainers can be purchased with these sinks, but you must request these at time of quote.

StoneMark Sinks & Edges

All sink cutouts have 1/2 inch overhang

Porcelain



411W Large Oval Vanity Bowl

Interior: 14 x 17 - 6" deep

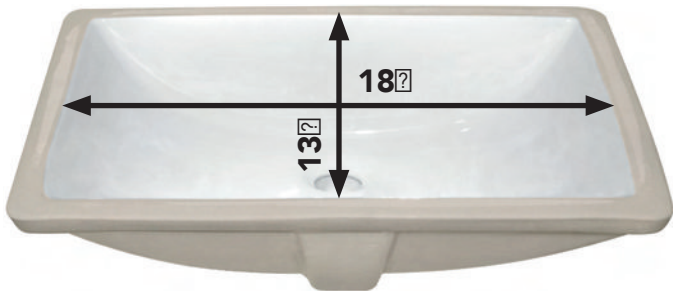
Finish: White, Bone



209W Small Oval Vanity Bowl

Interior: 15 x 13 - 6" deep

Finish: White, Bone



411S Large Rectangle Vanity Bowl

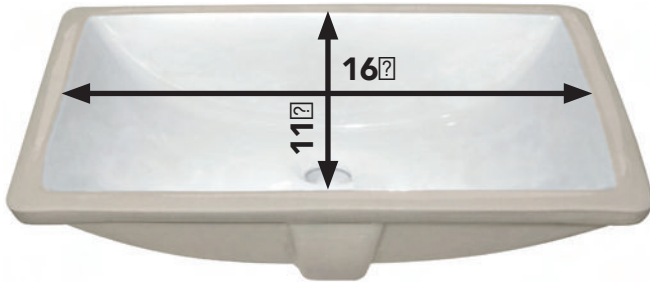
Interior: 18 x 13 - 6" deep

Finish: White, Bone

StoneMark Sinks & Edges

All sink cutouts have 1/2 inch overhang

Porcelain



6 1/2 deep

412SW Small Rectangle Vanity Bowl

Interior: 16 x 11 - 6 1/2 deep

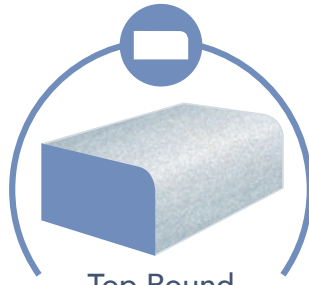
Finish: White ONLY

StoneMark Sinks & Edges

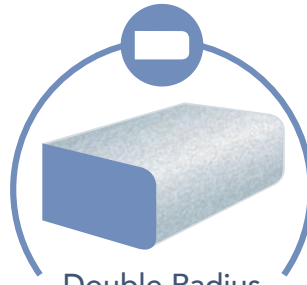
Standard Edges



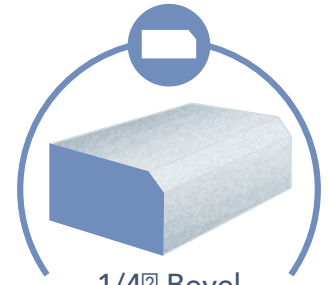
Standard Eased



Top Round



Double Radius



1/4" Bevel

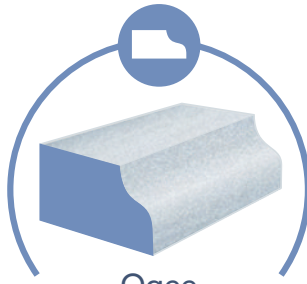
Specialty Edges



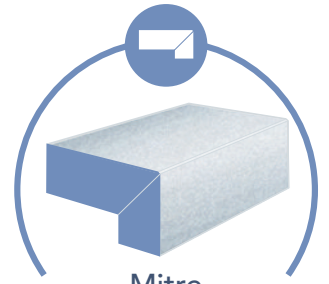
Demi Bullnose



Full Bullnose



Ogee



Mitre